

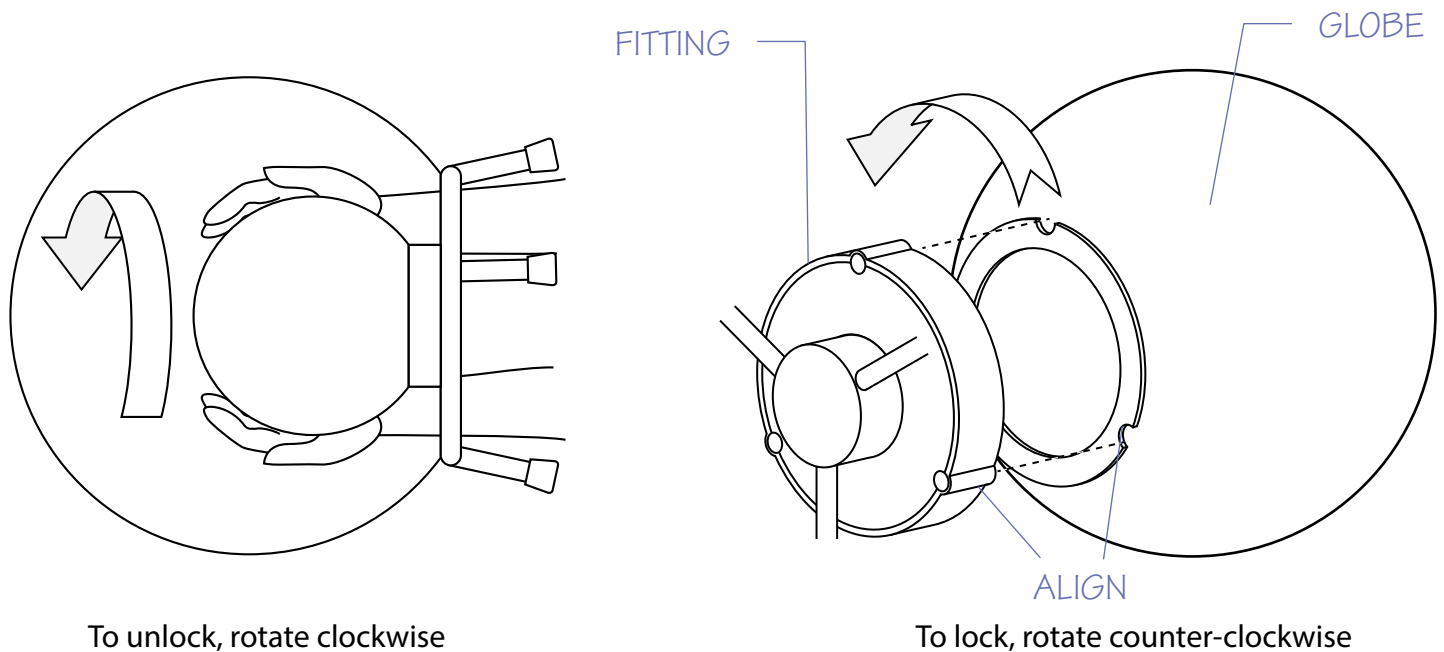
PALECEK™

601 PARR BOULEVARD, RICHMOND, CA 94801

LIGHT BULB REPLACEMENT INSTRUCTIONS

These instructions are provided for your convenience. It is very important that they are read carefully and completely before replacing the bulb of these items. (Applies to items 200005 SAN JUAN OUTDOOR GLOBE LAMP, 202779 IBIZA OUTDOOR LAMP, 251705 SAN JUAN CYLINDER LAMP, 202079 MALTA OUTDOOR LAMP SMALL, 202879 MALTA OUTDOOR LAMP TALL, 202979 ST. TROPEZ OUTDOOR LAMP SMALL, 202679 ST. TROPEZ OUTDOOR LAMP TALL)

1. Unplug lamp cord from wall/floor outlet.
2. Carefully place outdoor lamp on it's side, onto a soft, non scratching surface.
3. From underneath the lamp base, reach into the lamp frame and place hands onto globe.
4. Carefully rotate globe clockwise until globe is free from housing.
5. Replace defective light bulb. Please note there is a 60 watt maximum wattage requirement for this lamp.
6. Using both hands, maneuver globe back onto housing and lock in place by twisting globe counter clockwise until secure. Be sure to align notch in globe with hole in fitting.
7. Return lamp to upright position.
8. Re-plug cord into wall/floor outlet.



CARE:

Dust with a soft dry cloth. Do not use cleaning solutions or abrasives.