

PALECEK®

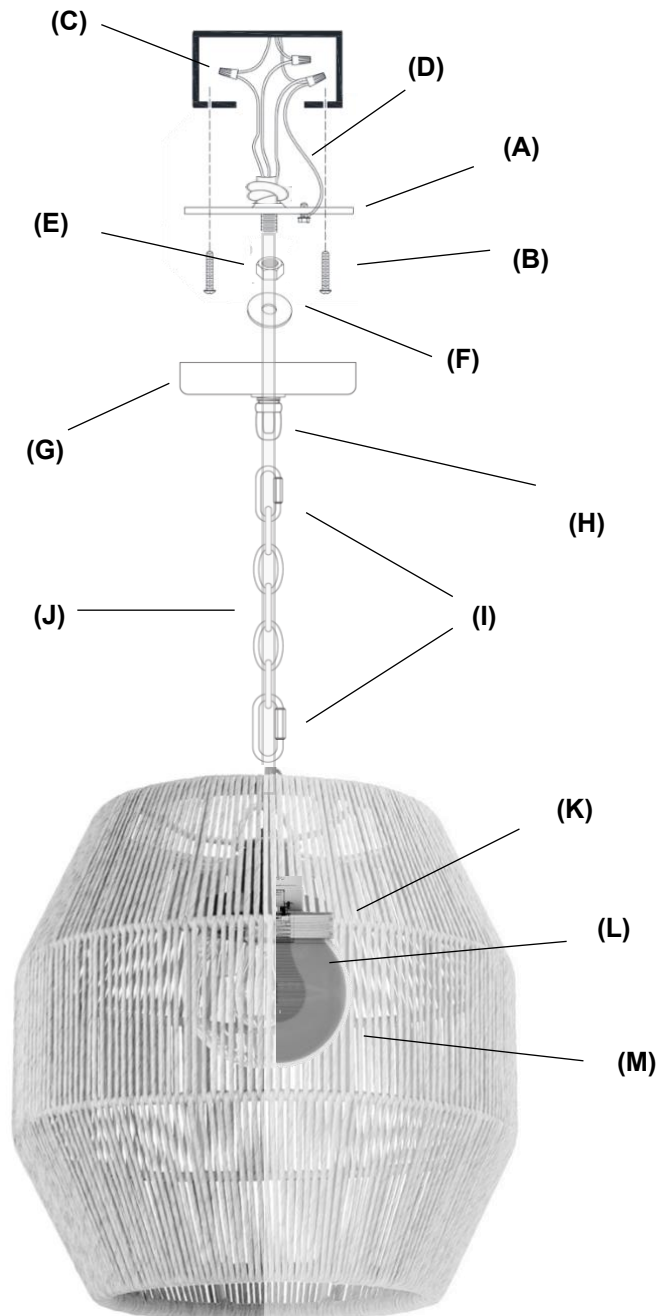
601 PARR BOULEVARD | RICHMOND | CA 94801

PENDANT INSTALLATION INSTRUCTIONS

Tanner Outdoor Pendant, Globe 204979, 205079

Parts List:

- A) Mounting Plate
- B) Mounting Screws
- C) Wire Connectors
- D) Pigtail Ground Wire
- E) Hex Nut
- F) Grounding Washer
- G) Canopy
- H) Canopy Loop
- I) Quick Links
- J) Chain
- K) Metal Cap
- L) Socket
- M) Glass Cover



PROFESSIONAL INSTALLATION REQUIRED

CAUTION: SHUT OFF THE POWER AT THE MAIN UTILITY BOX BEFORE DOING ANY ELECTRICAL CONNECTIONS TO AVOID ANY RISK OF ELECTRICAL HAZARD. ENSURE THE CEILING CAN SUPPORT THE WEIGHT OF THE PRODUCT.

Important Safety Instructions:

- These instructions are provided for your safety. It is important that they are read carefully before use to ensure safe operation of the product.
- Professional installation is recommended.
- This fixture has been rated for up to (1) **60-watt maximum TYPE A** standard incandescent light bulbs (not included). Do not exceed the recommended wattage.

Warning:

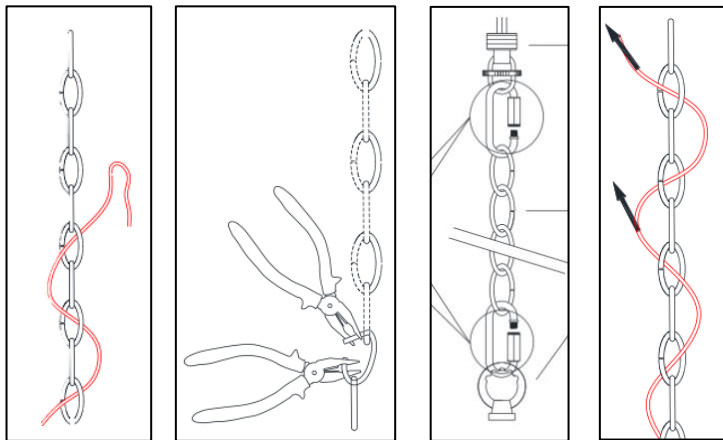
- *THIS PRODUCT MUST BE INSTALLED IN ACCORDANCE WITH THE APPLICABLE INSTALLATION CODES BY A PERSON FAMILIAR WITH THE CONSTRUCTION AND OPERATION OF THE PRODUCT AND THE HAZARDS INVOLVED.*
- To reduce the risk of fire, electrical shock or personal injury, always turn off light fixture and allow it to cool prior to replacing light bulb.
- Do not touch bulb when fixture is turned on. Do not look directly at lit bulb.
- Keep flammable materials away from lit bulb.
- Check the cable properly for any loose or damage connections.
- When the unit is no longer functioning, do not attempt to fix it by yourself. Only qualified technician is allowed to disassemble and repair.
- If the external flexible cable cord of this luminaire is damaged it shall be exclusively replaced by a qualified electrician in order to avoid hazard.
- Suitable for Dry, Damp, and Wet Locations.

Pre-Assembly:

- Remove all parts and hardware from the box along with any plastic protective packaging
- For your safety and convenience, assembly by two people is recommended

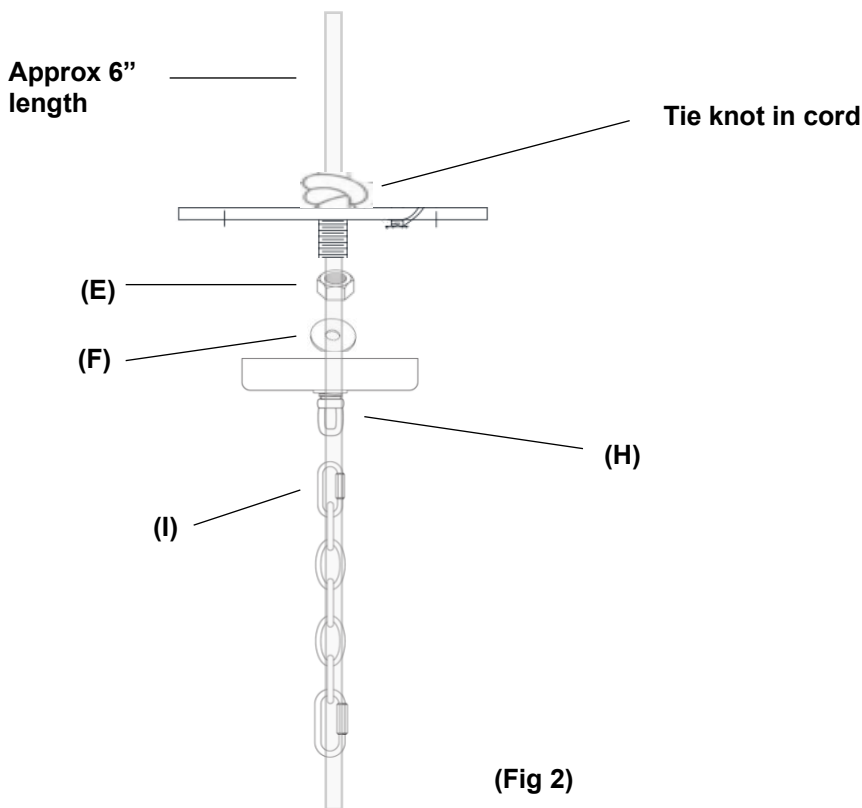
To adjust the suspension length of the fixture (Fig 1):

- 1) NOTE: The adjustment or shortening of the lighting fixture's suspension length is only needed if the factory set chain length is not appropriate for your installation. We recommend that you adjust the chain to the proper desired length before cutting the electrical cord. Determine the lighting fixture suspension length from the ceiling for the product installation, allowing the extra cord length for the outlet junction box wire connections as noted below
- 2) Untie the cord knot and pull the cord out through the canopy and out of the chain
- 3) The chain length may be shortened from either end. Use two pairs of pliers to gently pry the link apart so that a space is created large enough for the link to be removed from the remaining chain. Use a cloth between the pliers and the link to protect the finish of the link during bending. Once the chain is at the desired length, reattach the chain as shown in the diagram below.
- 4) Re-weave the cord through every 3 loops to the top of the chain.



(Fig 1)

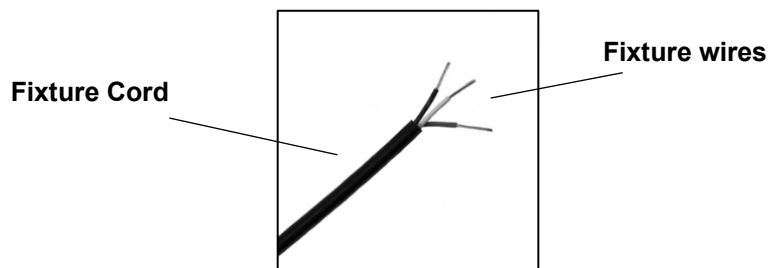
- 5) Re-insert the cord first through the Canopy Loop (H) and then through the Grounding washer (F), Hex Nut (E) and into the crossbar's threaded pipe. Pull the cord through tightly so that the chain's Quick Link (I) can attach to the Canopy Ring (H). (Fig 2)



- 6) Re-tie the knot in the power cord, as this is for additional strain relief. Cut off the extra cord length above the knot so that it is at least 6 inches long within the outlet junction box.

Installation Instructions:

- 1) **SHUT OFF THE MAIN ELECTRICAL SUPPLY FROM THE MAIN FUSE BOX/CIRCUIT BREAKER.**
- 2) Ensure the cord is knotted above the crossbar for strain relief.
- 3) Establish electrical connections:
 - a) Gently pull existing wires down from the ceiling junction box and allow them to hang.
 - b) On the fixture cord, use a pair of wire strippers to expose at least 1" the 3 interior wires
 - c) Carefully inspect the lighting fixture wires. The NEUTRAL FIXTURE WIRE has White insulation. The HOT FIXTURE WIRE has Black insulation. The GROUND WIRE has Green insulation. Use the wire strippers to remove about 1/2" of insulation from each wire.



- d) With the help of another person to hold the weight of the fixture, attach the fixture wires to the junction wires as shown in Fig 3.
- e) Connect both the GROUND WIRE from the fixture and the Ground Pigtail Wire (D) to the GROUND JUNCTION BOX WIRE from the ceiling outlet junction box (J-box) (usually green insulation or bare wire). Fasten each together with a Plastic Wire Nut Connector (C) and wrap the connection with electrical tape. Ensure the other end of the Ground Pigtail wire is still wrapped around the Green Ground Screw and securely tightened with a screwdriver. Be sure that no wire strands are exposed. **IT IS IMPERATIVE THAT THE JUNCTION BOX IN YOUR HOME BE PROPERLY GROUNDED!**
- f) Connect the NEUTRAL FIXTURE WIRE to the NEUTRAL JUNCTION BOX WIRE (usually white insulation). Fasten each together with a Plastic Wire Nut Connector (C) and wrap the connection with electrical tape. Be sure that no wire strands are exposed.
- g) Connect the HOT FIXTURE WIRE to the HOT JUNCTION BOX WIRE (usually black insulation). Fasten each together with a Plastic Wire Nut Connector (C) and wrap the connection with electrical tape. Be sure that no wire strands are exposed. **DO NOT REVERSE THE HOT AND NEUTRAL CONNECTIONS OR SAFETY WILL BE COMPROMISED**
- h) Gently tuck the wire connections neatly into the ceiling junction box

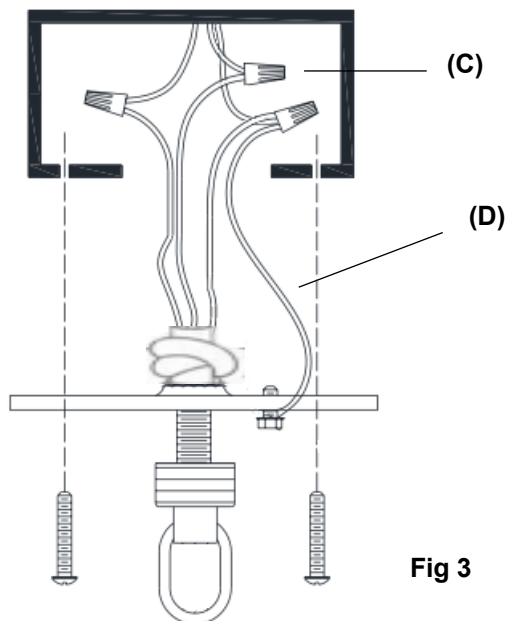


Fig 3

- 4) Secure the cross-bar (A) to the Junction Box with the Mounting Screws (B). Tighten until snug. (Fig. 4)

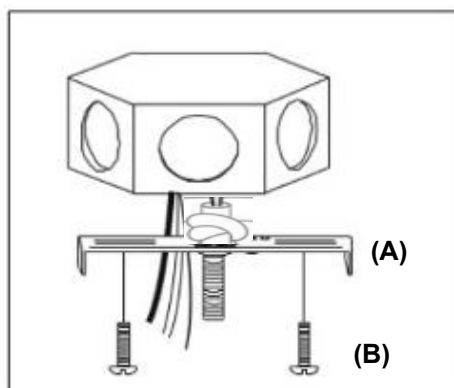


Fig 4

PALECEK®

601 PARR BOULEVARD | RICHMOND | CA 94801

- 5) After all connections are made, attach the Canopy (G) to the Mounting Plate (A) by aligning the threaded Canopy Loop (H) with the threaded pipe on the Mounting Plate and rotating clockwise to engage. Ensure the Hex Nut (E) and Grounding Washer (F) are still in place. Next, rotate the knurled Nut on the Canopy Loop until the canopy tightens securely against the ceiling (Fig 5).
- 6) If installed in wet locations, use suitable caulk/sealant around the canopy edge adjacent to the ceiling mounting surface to adequately seal the canopy from moisture.
- 7) Insert (1) **60-watt maximum TYPE A** standard incandescent light bulbs (not included) into the socket. **DO NOT EXCEED THE RECOMMENDED WATTAGE.**
- 8) Carefully rotate the Glass cover (M) onto the Metal cap (K) in a clockwise direction by hand until tight (Fig 6). Use one hand to hold the Metal Cap in place and prevent from spinning, and the other hand to rotate the Glass cover. **ENSURE GLASS COVER IS SITTING FLAT INSIDE THE METAL CAP BEFORE ROTATING.**
- 9) Restore power to ceiling outlet junction box and test fixture.

Care Instructions: Do not use abrasive cleaning solution. Clean it using soft dry cloth or static duster. Keep these instructions for future reference.

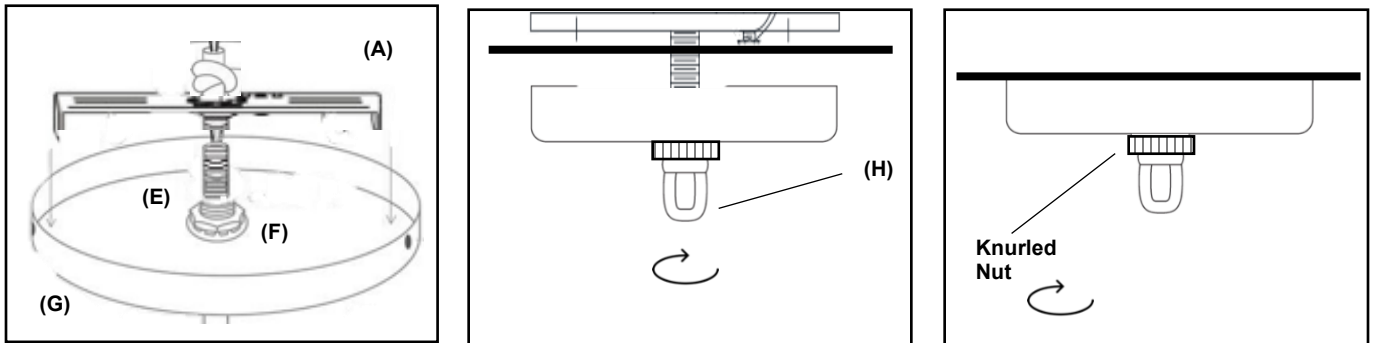


Fig 5

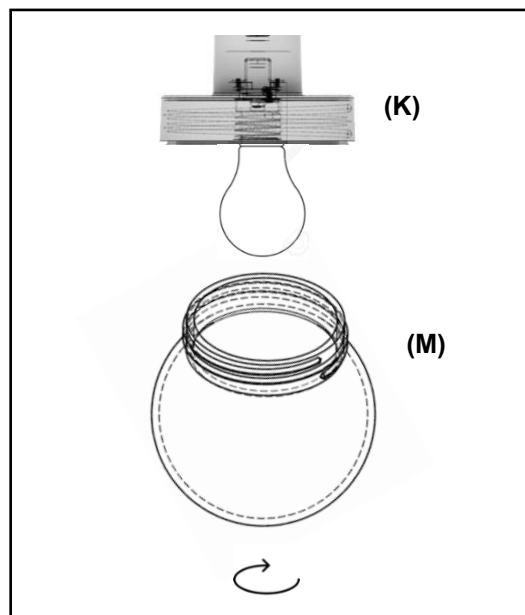


Fig 6

PALECEK®

601 PARR BOULEVARD | RICHMOND | CA 94801

LIGHT BULB REPLACEMENT INSTRUCTIONS FOR OUTDOOR WET-LISTED PENDANTS

These instructions are provided for your convenience. It is very important that they are read carefully and completely before replacing the bulb of these items.

- 1) For ease of installation, it is recommended to use two people
- 2) Ensure light switch is turned off and globe is cool
- 3) Place one hand on the Metal Cap (K) to prevent it from spinning
- 4) With the other hand, carefully rotate the Glass cover (M) in a counter-clockwise direction until it becomes loose. Set Glass Globe down while bulb is replaced.
- 5) Insert one (1) 60w max light bulb
- 6) To reattach glass globe, first place one hand on the Metal Cap (K) to prevent it from spinning
- 7) With the other hand, insert the glass globe until you can feel it sit entirely flat within the metal cap (Fig 1). Check visually from all angles that the globe is fully inserted and in a flat position before you begin to turn. **ENSURE GLASS COVER IS SITTING FLAT INSIDE THE METAL CAP BEFORE ROTATING.** If the globe is not sitting flat, it will not connect properly with the threading (Fig 2). **NOTE:** Getting the globe to sit flat may take a few attempts since alignment with the threading is specific.
- 8) Carefully rotate the Glass cover (M) within the Metal cap (K) in a clockwise direction by hand until you feel it lock tight (Fig 3)

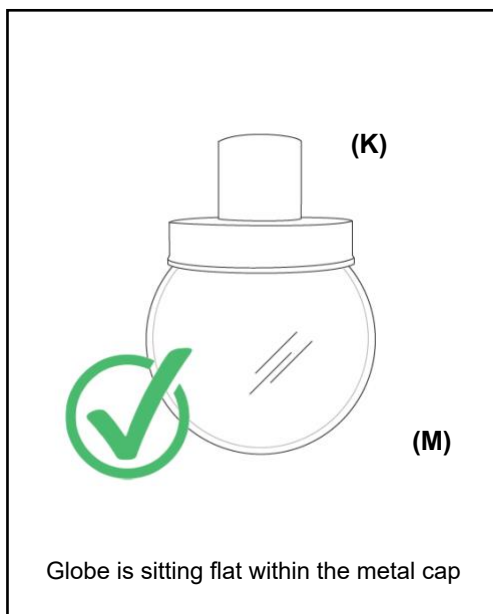


Fig 1

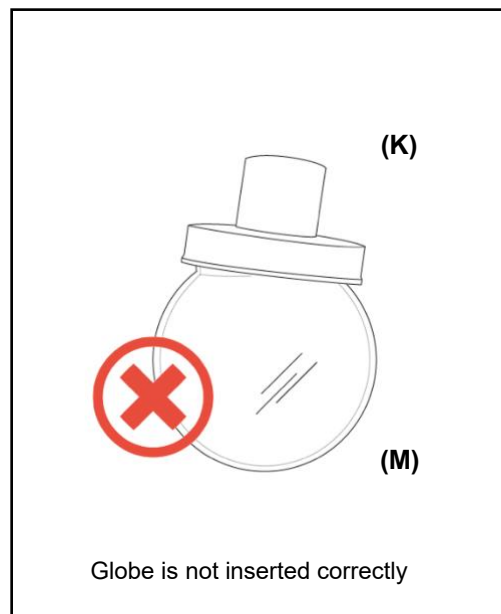


Fig 2

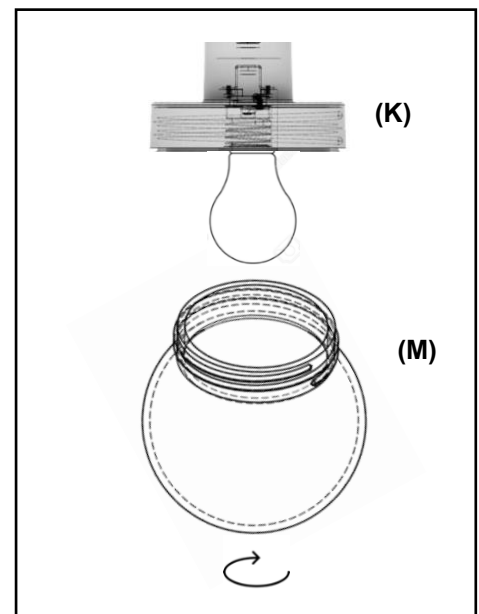


Fig 3