

PALECEK®

601 PARR BOULEVARD | RICHMOND | CA 94801

LAMP ASSEMBLY INSTRUCTIONS

KN Bronson Table Lamp

211879 / 211979

Important Safety Instructions:

- These instructions are provided for your safety. It is very important that they are read carefully and completely before beginning the assembly and installation of this lighting fixture.
- This portable luminaire has a polarized plug (one blade is wider than the other) as a safety feature to reduce the risk of electric shock. This plug will fit in a polarized outlet only one way. If the plug does not fit fully in the outlet, reverse the plug. If it still does not fit, contact a qualified electrician. Never use with an extension cord unless plug can be fully inserted. Do not alter the plug. Do not attempt to defeat this safety feature.
- This lamp is meant for indoor use, DRY LOCATIONS ONLY.
- This fixture has been rated for up to one (1) **40-watt max E26 medium base bulb** (not included). To avoid the risk of fire, do not exceed the recommended lamp wattage.
- **Save these instructions.**

WARNING:

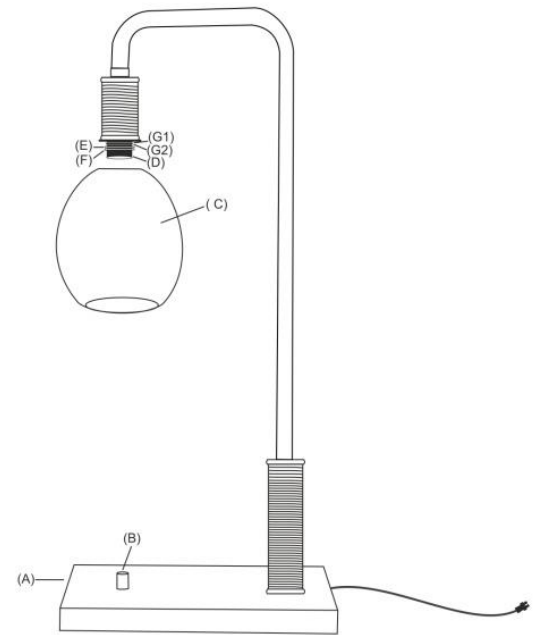
- **To reduce the risk of fire, electrical shock or personal injury, always turn off and unplug the light fixture and allow it to cool prior to replacing the light bulb.**
- **Do not touch bulb when fixture is turned on. Do not look directly at lit bulb.**
- **Keep flammable materials away from lit bulb.**

Pre-assembly:

- Remove all parts and hardware from box along with any plastic protective packaging.
- Do not discard any contents until after assembly is complete to avoid accidentally discarding small parts or hardware.

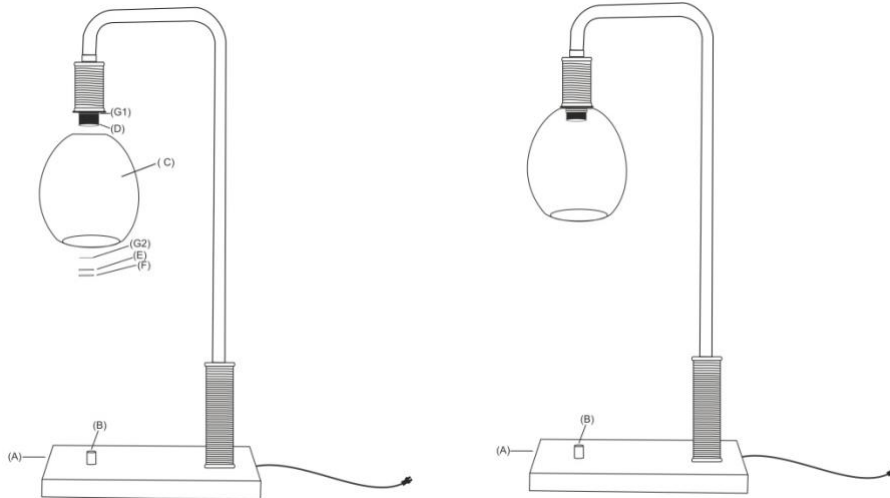
Parts List:

- A) Lamp Base
- B) On / Off Switch
- C) Shade Fixture
- D) Socket
- E) Unthreaded Spacer Ring
- F) Threaded Shade Ring
- G) Clear Silicon Gasket (2x)



Assembly Instructions:

- Unpack the Table Lamp and familiarize yourself with the parts
- Place the lamp on a solid, stable surface.
- Unscrew the Threaded Shade Ring (F) and Unthreaded Spacer Ring (E) from the socket (D). Remove one Clear Silicon Gasket (G2). Do not discard Clear Silicon Gasket (G2) as this will be used later. Fix the Shade (C) onto the socket (D). Fix Clear Silicon Gasket (G2), add back the Unthreaded Spacer Ring (E), followed by the threaded shade ring (F). Tighten the shade ring clockwise by hand until secure.



- Insert one (1) **40-watt max E26 medium base bulb** (not included).
- Plug into proper electrical outlet and test fixture with the help of on/Off Switch (B) on the Lamp Base (A).
- Assembly is complete.

Care Instructions:

- Do not use abrasive cleaning solution as it may cause damage to the fixture's finish.
- Wipe clean with a soft, dry cloth or static duster.