

PALECEK®

601 PARR BOULEVARD | RICHMOND | CA 94801

WALL SCONCE INSTALLATION INSTRUCTIONS

SCONCE BACKPLATE ANTIQUÉ BRASS / PEWTER / BRONZE

PROFESSIONAL INSTALLATION REQUIRED

CAUTION: BEFORE INSTALLING FIXTURE, MAKE SURE THE POWER TO THE CIRCUIT IS TURNED OFF AT THE MAIN FUSE BOX / CIRCUIT BREAKER UTILITY BOX.

Important Safety Instructions:

- These instructions are provided for your safety. It is important that they are read carefully before use to ensure safe operation of the product.
- Installation by a licensed professional electrician required.
- THIS PRODUCT MUST BE INSTALLED IN ACCORDANCE WITH THE APPLICABLE INSTALLATION CODES BY A PERSON FAMILIAR WITH THE CONSTRUCTION AND OPERATION OF THE PRODUCT AND THE HAZARDS INVOLVED.
- The lighting fixture is meant for indoor use. It must be connected only to 3-wire, single-phase electrical supply systems (provided with Ground wire or equivalent protection system).
- For your safety, it is strongly recommended that two people install the lighting fixture.
- This fixture has been rated for up one (1) **60 watt maximum Type A bulb** (not included). To avoid the risk of fire, do not exceed the recommended lamp wattage.
- The lighting fixture is meant for indoor use, DRY LOCATIONS ONLY.
- **Save these instructions.**

WARNING:

- **To reduce the risk of fire, electrical shock or personal injury, always turn off light fixture and allow it to cool prior to replacing light bulb.**
- **Do not touch bulb when fixture is turned on. Do not look directly at lit bulb.**
- **Keep flammable materials away from lit bulb.**
- **Check the cable properly for any loose or damaged connections.**
- **When the unit is no longer functioning, do not attempt to fix it by yourself. Only a qualified technician is allowed to disassemble and repair.**
- **If the external flexible cable cord of this luminaire is damaged it shall be exclusively replaced by a qualified electrician in order to avoid hazard.**

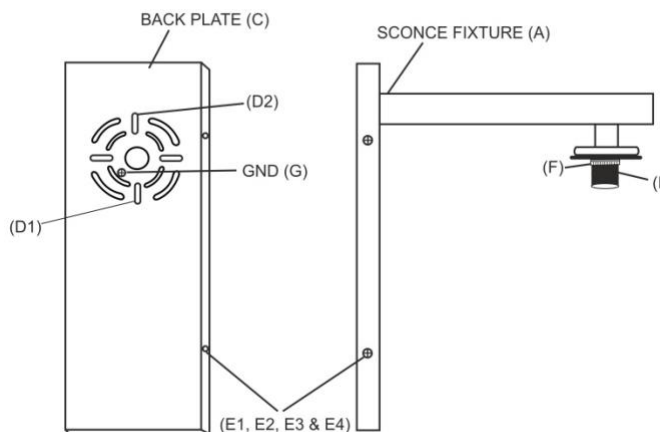
Pre-Assembly:

- Remove all parts and hardware from the box along with any plastic protective packaging. Do not discard contents until after assembly is complete to avoid accidentally discarding small parts or hardware.
- For your safety and convenience, assembly by two people is recommended
- Lay the product out on the floor. If there is no carpet, cover the floor with a soft cloth so as not to scratch the finish of the light or the floor.

TOOLS REQUIRED (not included): Ladder, Phillips Head & Flat Blade Screwdrivers, Wire Cutter/Stripper & Electrical Tape.

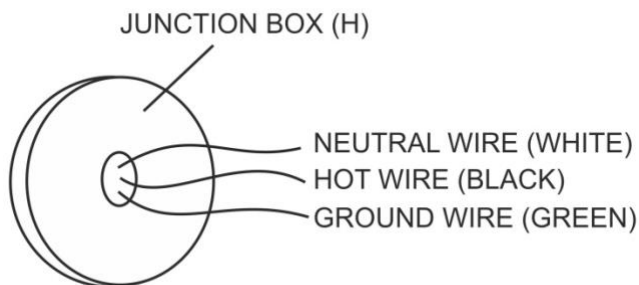
Parts List:

- A) Sconce Fixture
- B) Wall Screws (B1 & B2)
- C) Back Plate
- D) Back Plate Holes (D1 & D2)
- E) Side Screws (E1, E2, E3 & E4)
- F) Shade Ring
- G) Grounding Screw
- H) Junction Box
- I) Socket
- J) Plastic Wire Connectors (3x)
- K) Shade Fixture (not included)

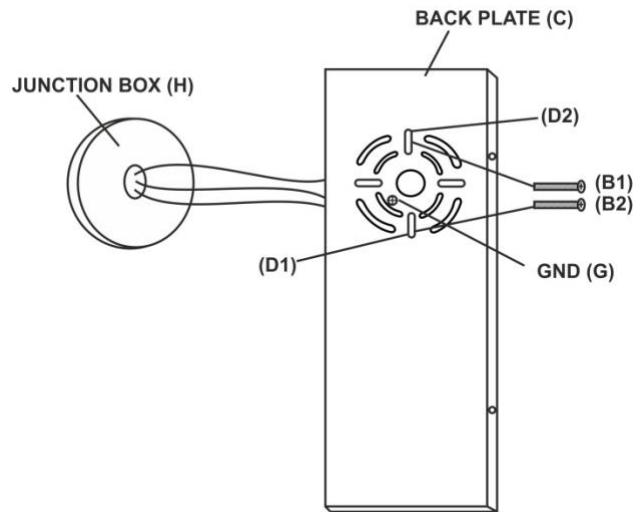


Installation Instructions:

1. **SHUT OFF THE MAIN ELECTRICAL SUPPLY FROM THE MAIN FUSE BOX/CIRCUIT BREAKER.**
2. Separate Back Plate (C) from Sconce Fixture (A) by removing the four Fixture Side Screws (E1, E2, E3 & E4). Do not discard Fixture Side Screws (E1, E2, E3 & E4) as these will be used later.
3. Gently pull existing wires out from the wall junction box (H) and allow them to hang. The hot or live wire is black and the neutral wire is white. Check to see if there is a ground wire that is either green or green with a yellow stripe or exposed copper metal wire. If needed, use a pair of wire strippers to remove about ½ inch of insulation from each wire

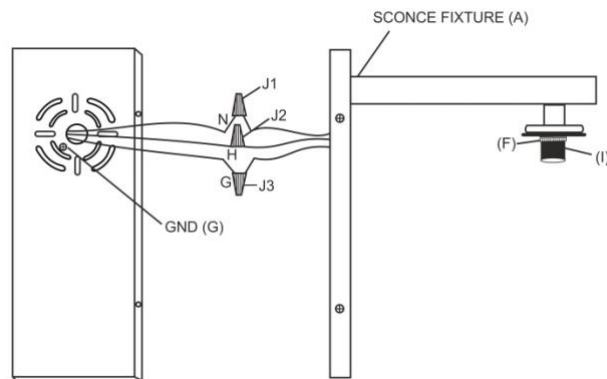


4. Insert the junction box wires through the center opening of the back plate (C). Attach the back plate to the wall outlet box using the two wall screws (B1 & B2) to engage with each of the back plate holes (D1 & D2)



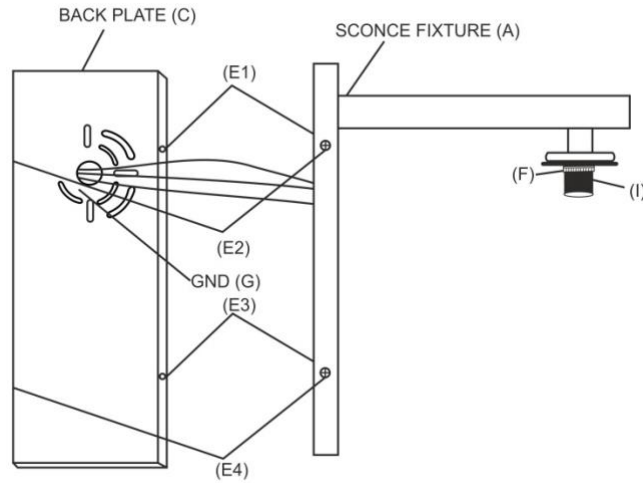
5. Establish electrical connections:

- a) Connect the NEUTRAL FIXTURE WIRE to the NEUTRAL JUNCTION BOX WIRE (usually white or ribbed insulation). Fasten each together with a wire connector (J) and wrap the connection with electrical tape. Be sure that no wire strands are exposed
- b) Connect the HOT FIXTURE WIRE to the HOT JUNCTION BOX WIRE (usually black or smooth insulation). Fasten each together with a wire connector (J) and wrap the connection with electrical tape. Be sure that no wire strands are exposed. **DO NOT REVERSE THE HOT AND NEUTRAL CONNECTIONS OR SAFETY WILL BE COMPROMISED.**

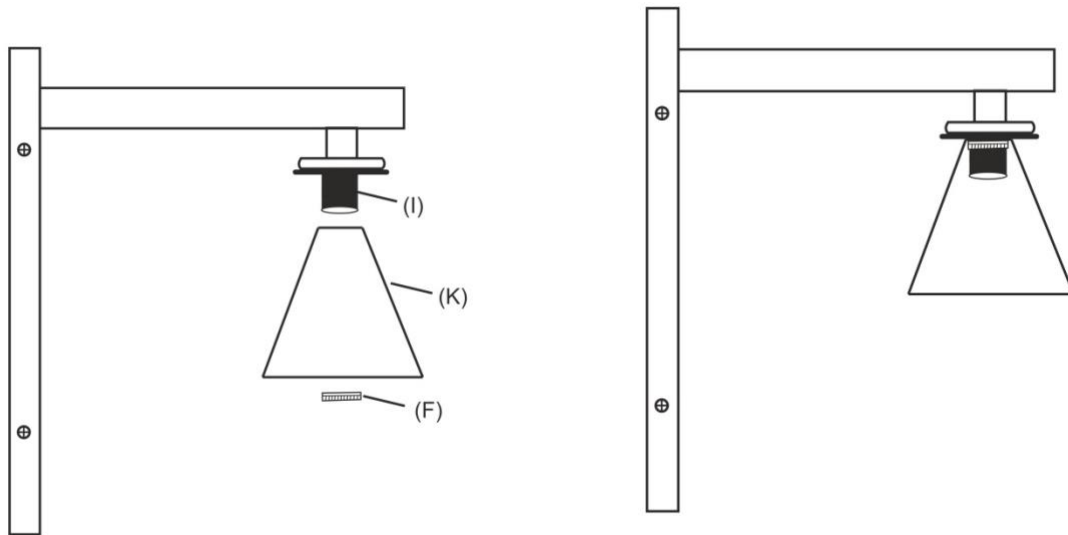


- c) Connect the GROUND WIRE of the fixture to the GROUND J-BOX WIRE (usually green or bare). Fasten each together with a wire connector (J) and wrap the connection with electrical tape. Be sure that no wire strands are exposed. If there is no ground wire in the J-Box, use a screwdriver to secure the end of the fixture ground wire to the Ground screw (G) into the back plate (C).
After wire connections, tighten the connectors (J1, J2, J3) on the wire joint.

6. After all connections are made, place the sconce fixture over the backplate and insert the four fixture side screws (E1, E2, E3 & E4) and tightening each using a screwdriver until secure. Do not over-tighten the screws.



7. Unscrew the shade ring (F) from the socket (I). Fix the Shade (K) onto the socket and tighten the ring clockwise by hand.



8. Insert one (1) 60 **watt maximum Type A bulb** (not included) into the socket. **DO NOT EXCEED THE RECOMMENDED WATTAGE.**
9. Restore power to ceiling outlet junction box and test fixture
10. Installation is complete.

Care Instructions:

- Do not use abrasive cleaning solution as it may cause damage to the fixture's finish.
- Wipe clean with a soft, dry cloth or static duster.