

PALECEK®

601 PARR BOULEVARD | RICHMOND | CA 94801

PENDANT INSTALLATION INSTRUCTIONS

Veranda Woven Pendant, White Wash 294879

PROFESSIONAL INSTALLATION REQUIRED

CAUTION: BEFORE INSTALLING FIXTURE, MAKE SURE THE POWER TO THE CIRCUIT IS TURNED OFF AT THE MAIN FUSE BOX / CIRCUIT BREAKER UTILITY BOX.

Important Safety Instructions:

- These instructions are provided for your safety. It is important that they are read carefully before use to ensure safe operation of the product.
- Installation by a licensed professional electrician required.
- THIS PRODUCT MUST BE INSTALLED IN ACCORDANCE WITH THE APPLICABLE INSTALLATION CODES BY A PERSON FAMILIAR WITH THE CONSTRUCTION AND OPERATION OF THE PRODUCT AND THE HAZARDS INVOLVED.
- The lighting fixture is meant for indoor use. It must be connected only to 3-wire, single-phase electrical supply systems (provided with Ground wire or equivalent protection system).
- For your safety, it is strongly recommended that two people install the lighting fixture.
- This fixture has been rated for up to (3) **60 watt maximum Type A standard bulbs** (not included). To avoid the risk of fire, do not exceed the recommended lamp wattage.
- The lighting fixture is meant for indoor use, DRY LOCATIONS ONLY.
- **Save these instructions.**

WARNING:

- **To reduce the risk of fire, electrical shock or personal injury, always turn off light fixture and allow it to cool prior to replacing light bulb.**
- **Do not touch bulb when fixture is turned on. Do not look directly at lit bulb.**
- **Keep flammable materials away from lit bulb.**
- **Check the cable properly for any loose or damaged connections.**
- **When the unit is no longer functioning, do not attempt to fix it by yourself. Only a qualified technician is allowed to disassemble and repair.**
- **If the external flexible cable cord of this luminaire is damaged it shall be exclusively replaced by a qualified electrician in order to avoid hazard.**

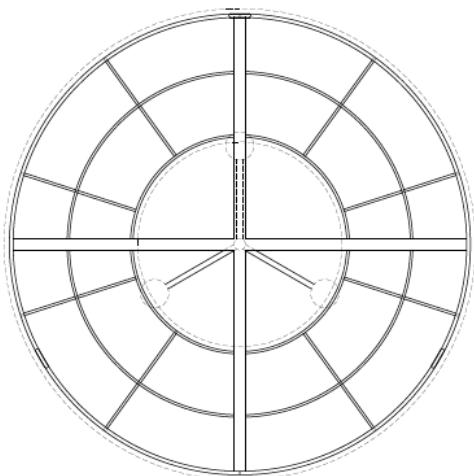
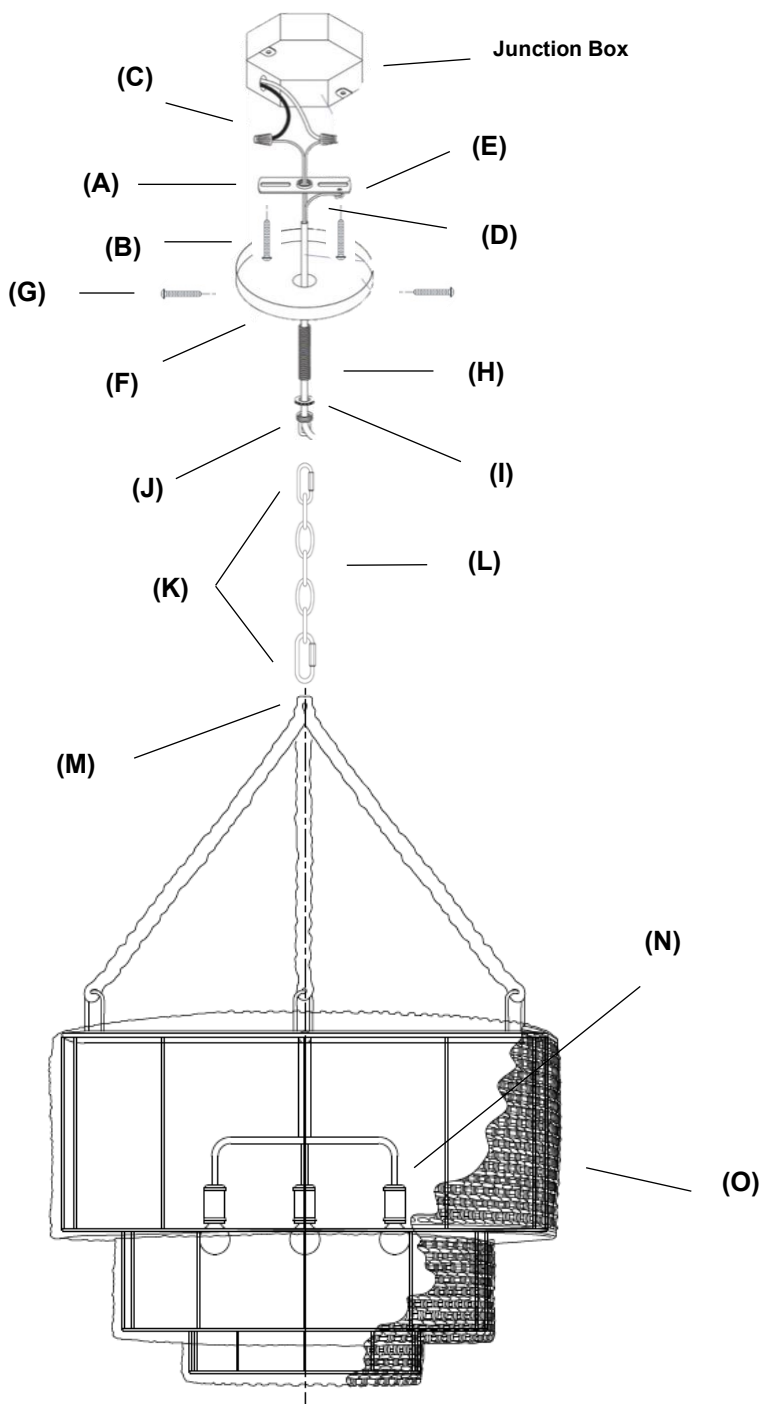
Pre-Assembly:

- Remove all parts and hardware from the box along with any plastic protective packaging. Do not discard contents until after assembly is complete to avoid accidentally discarding small parts or hardware.
- For your safety and convenience, assembly by two people is recommended
- Determine the distance to suspend your pendant from the ceiling. If necessary, adjust the metal chain to your desired length by cutting the links. The electrical supply wire that is woven through the chain should be cut off 12 inches longer than the final chain length.
- Use Quick Links (K) to re-attach the Chain (L) to the Canopy Loop (J) and Pendant Top Loop (M).

TOOLS REQUIRED (not included): Ladder, Phillips Head & Flat Blade Screwdrivers, Wire Cutter/Stripper & Electrical Tape.

Parts List:

- A) Mounting Plate
- B) Mounting Screws (2x)
- C) Wire Connectors (3x)
- D) Ground Wire
- E) Ground Screw
- F) Canopy
- G) Canopy Screws (2x)
- H) Nipple
- I) Locknut
- J) Canopy Loop
- K) Quick Links
- L) Chain
- M) Pendant Top Loop
- N) E26 Sockets
- O) Woven Shade



Installation Instructions:

1. **SHUT OFF THE MAIN ELECTRICAL SUPPLY FROM THE MAIN FUSE BOX/CIRCUIT BREAKER.**
2. Gently pull existing wires down from the ceiling junction box and allow them to hang.
3. Secure the Mounting Plate (A) to the Junction Box with the Mounting Screws (B). Tighten until snug.
4. Establish electrical connections:
 - a) Connect the NEUTRAL FIXTURE WIRE to the NEUTRAL JUNCTION BOX WIRE (usually white or ribbed insulation). Fasten each together with a wire connector (C) and wrap the connection with electrical tape. Be sure that no wire strands are exposed.
 - b) Connect the HOT FIXTURE WIRE to the HOT JUNCTION BOX WIRE (usually black or smooth insulation). Fasten each together with a wire connector (C) and wrap the connection with electrical tape. Be sure that no wire strands are exposed. **DO NOT REVERSE THE HOT AND NEUTRAL CONNECTIONS OR SAFETY WILL BE COMPROMISED.**
 - c) Connect the GROUND WIRE of the fixture to the GROUND J-BOX WIRE (usually green or bare) with a wire connector (C) and wrap the connection with electrical tape. Be sure that no wire strands are exposed. If there is no ground wire in the J-Box, use a screwdriver to secure the end of the fixture ground wire to the GREEN screw located on the cross bar (A).
5. After all connections are made, attach the Canopy (F) to the Mounting Plate (A). Align the holes of the side portions of the Mounting Plate with the holes located in the side of the Canopy. Using a screwdriver, insert the canopy screws (G) through each hole of the canopy and into threaded engagement with the cross bar. Do not over-tighten the screws.
6. Insert three (3) **60 watt maximum Type A standard bulbs** (not included) into the sockets. **DO NOT EXCEED THE RECOMMENDED WATTAGE.**
7. Restore power to ceiling outlet junction box and test fixture.
8. Installation is complete.

Care Instructions:

- Do not use abrasive cleaning solution as it may cause damage to the fixture's finish.
- Wipe clean with a soft, dry cloth or static duster.